

True Ice Series: Slope Front Storage Bins

HIGH CAPACITY COMMERCIAL EQUIPMENT
THE FUTURE OF THE ICE INDUSTRY



TIB-422



TIB-530

FEATURES & BENEFITS

- Tru-tech aluminum exterior with heavy duty plastic lid and frame
- All plastic interior plus 100% antimicrobial plastic liner
- Fully insulated with environmentally friendly high-density polyurethane foam
- Slow Close Lid/Hinge design
- Removable Ice Baffle
- Magnascoop® included for easy ice scoop storage

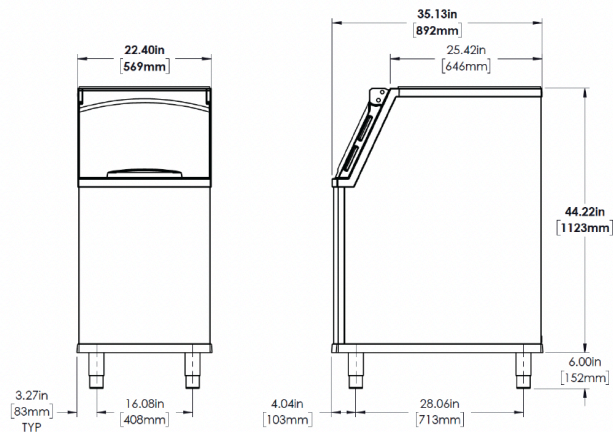
Model	Capacity	Dimensions	Crated Weight (lbs)
TIB-422	320 lbs	22" x 34" x 50" 559 x 864 x 1270 mm	140
TIB-530	450 lbs	30" x 34" x 50" 762 x 864 x 1270 mm	175

BIN ACCESSORIES

- 3" Adjustable legs
- Adapter top for 22" machine head on 30" bin

PLAN VIEWS

TIB-422



TIB-530

